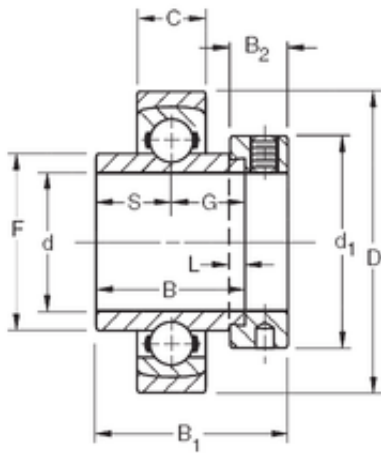




Precision BEARING-SINGAPORE (PTE)LTD.

87,3125 mm x 210 mm x 87,31 mm TIMKEN SMN307KS Insert Bearings Spherical OD



Bearing No. SMN307KS

Size	87.3125x210x87.31 mm
Bore Diameter	87,3125 mm
Outer Diameter	210 mm
Width	87,31 mm
d	87,3125 mm
D	210 mm
B	87,31 mm
C	43 mm
d1	133,4 mm
B1	115,9 mm
B2	36,5 mm
F	120,12 mm
G	43,7 mm
L	7,9 mm
S	43,7 mm
Weight	1,79 Kg
Basic dynamic load rating (C)	156 kN

SMN307KS Bearing 2D drawings and 3D CAD models