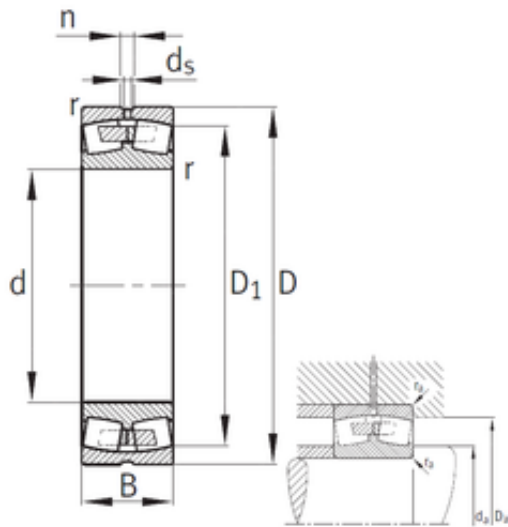




## Precision BEARING-SINGAPORE (PTE)LTD.



### 240 mm x 360 mm x 118 mm FAG 24048-B-MB Spherical Roller Bearings

Bearing No. 24048-B-MB

Size	240x360x118 mm
Bore Diameter	240 mm
Outer Diameter	360 mm
Width	118 mm
d	240 mm
D	360 mm
B	118 mm
C	118 mm
n	12,2 mm
r min.	3 mm
D1	318,9 mm
da min.	252,4 mm
Da max.	347,6 mm
ra max.	2,5 mm
d5	6,3 r/min
Weight	43,6 Kg
Basic dynamic load rating (C)	1500 kN
Basic static load rating (C0)	2900 kN
Fatigue load limit (Pu)	150
Reference speed	970 r/min
Limiting speed	1 300 r/min
Calculation factor (e)	0,32
Calculation factor (Y0)	2,06
Calculation factor (Y1)	2,1

24048-B-MB Bearing 2D drawings and 3D CAD models